

# EYP-RWE-0790-03010-1500-SOT02-0000

Revision 1.00

15.04.2019

## GAIN CHIPS AR coated Fabry-Perot Laser



### General Product Information

Product	Application
tunable 790 nm Fabry-Perot Laser	Spectroscopy
for use in an External Cavity Diode Laser (ECDL)	
sealed SOT Housing	
Monitor Diode	



### Absolute Maximum Ratings

Parameter	Symbol	Unit	min	typ	max
Storage Temperature	$T_S$	°C	-40		85
Operational Temperature at Case	$T_C$	°C	-20		50
Forward Current	$I_F$	mA			200
Reverse Voltage	$V_R$	V			0
Output Power (extracavity)	$P_{opt}$	mW			70

#### Measurement Conditions / Comments

Stress in excess of one of the Absolute Maximum Ratings can cause permanent damage to the device. Please note that a damaging optical power level may occur although the maximum current is not reached.

### Recommended Operational Conditions

Parameter	Symbol	Unit	min	typ	max
Operational Temperature at Case	$T_C$	°C	15		40
Forward Current	$I_F$	mA			180

#### Measurement Conditions / Comments

### Characteristics extracavity at 25° C at Begin Of Life under recommended working point, with external cavity

Parameter	Symbol	Unit	min	typ	max
Center Wavelength	$\lambda_c$	nm		790	
Tuning Range	$\Delta\lambda_{tun}$	nm	760		795
Output Power	$P_{opt}$	mW		50	
Polarization				TM	
Spatial Mode (transversal)				TEM <sub>00</sub>	

#### Measurement Conditions / Comments

The actual achieved wavelength and power are strongly influenced by the external cavity. eagleyard Photonics gives no guarantee on these parameters.

E field perpendicular to Pin 2 - Pin 3 - plane  
Fundamental Mode

# EYP-RWE-0790-03010-1500-SOT02-0000

Revision 1.00

15.04.2019

## GAIN CHIPS

### AR coated Fabry-Perot Laser



#### Amplified Spontaneous Emission (ASE) without external cavity

Parameter	Symbol	Unit	min	typ	max
Divergence parallel (FWHM)	$\Theta_{  }$	°		10	
Divergence perpendicular (FWHM)	$\Theta_{\perp}$	°		22	
Monitor Detector Responsivity	$I_{\text{mon}} / P_{\text{opt}}$	$\mu\text{A} / \text{mW}$	1		40

#### Measurement Conditions / Comments

parallel to Pin 2 - Pin 3 plane (see p. 3)  
perpendicular to Pin 2 - Pin 3 plane (see p. 3)  
 $U_{\text{R,MD}} = 5 \text{ V}$

#### Chip Parameter

Parameter	Symbol	Unit	min	typ	max
Cavity Length	L	$\mu\text{m}$		1500	
Reflectivity at Front Facet	$R_{\text{ff}}$			$3 \cdot 10^{-4}$	$1 \cdot 10^{-3}$

#### Measurement Conditions / Comments


# EYP-RWE-0790-03010-1500-SOT02-0000

Revision 1.00

15.04.2019

## GAIN CHIPS AR coated Fabry-Perot Laser

### Package Dimensions

Parameter	Symbol	Unit	min	typ	max
Height of Emission Plane	$d_{EP}$	mm	3.50	3.65	3.70
Excentricity of Emission Center	R	mm			0.12
Pin Length	$l_{PIN}$	mm		14	

### Measurement Conditions / Comments

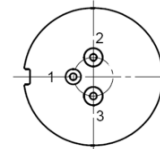
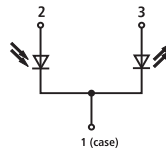
reference plane: top side of TO header

reference: center of outer diameter of header

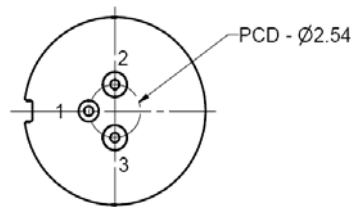
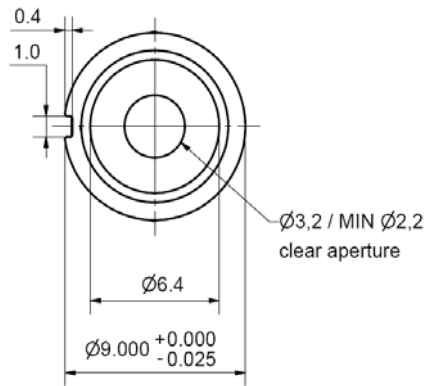
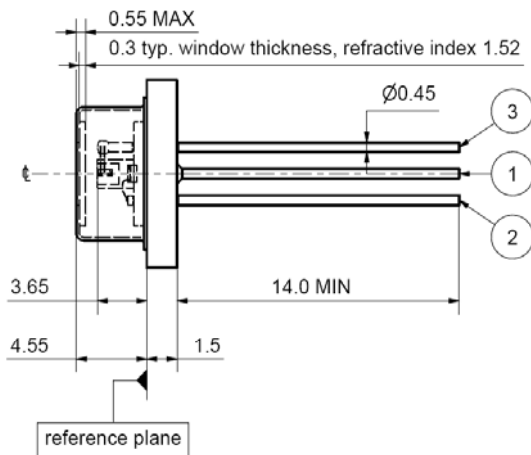
### Package Pinout

### M-type

- 1 Laser Diode Cathode, Monitor Diode Cathode, Case
- 2 Photo Diode Anode
- 3 Laser Diode Anode



### Package Drawings



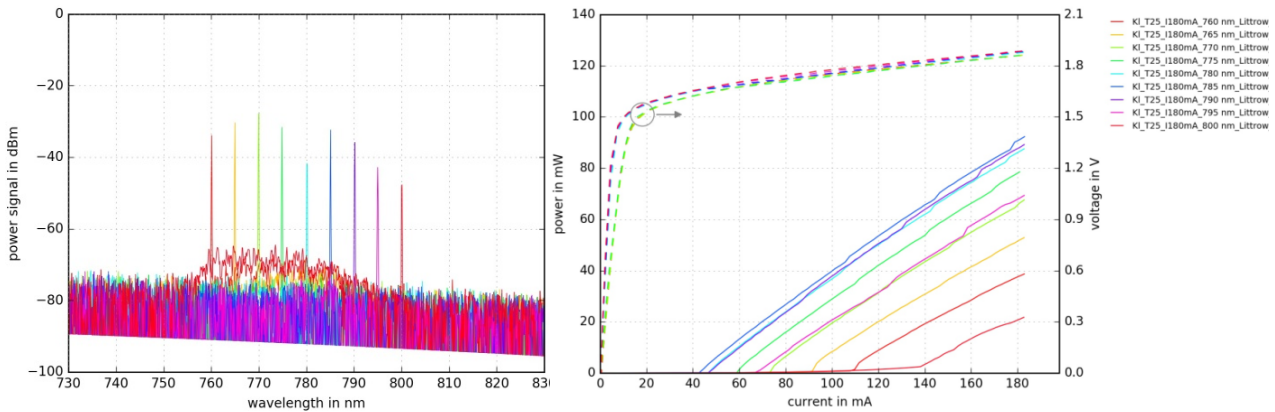
# EYP-RWE-0790-03010-1500-SOT02-0000

Revision 1.00

15.04.2019

## GAIN CHIPS AR coated Fabry-Perot Laser

### Typical Measurement Results ex cavity



### Unpacking, Installation and Laser Safety

Unpacking the laser diodes should only be done at electrostatic safe workstations (EPA). Though protection against electro static discharge (ESD) is implemented in the laser package, charges may occur at surfaces. Please store this product in its original package at a dry, clean place until final use. During device installation, ESD protection has to be maintained.

The RWE diode type is known to be sensitive against thermal stress. It should not be operated without appropriate optical feedback from an external cavity. Operating at moderate temperatures on proper heat sinks will contribute to a long lifetime of the diode.

The laser emission from this diode is close to the invisible infrared region of the electromagnetic spectrum. Avoid direct and/or indirect exposure to the free running beam. Collimating the free running beam with optics as common in optical instruments will increase threat to the human eye.

Each laser diode will come with an individual test protocol verifying the parameters given in this document.

Performance figures, data and any illustrative material provided in this specification are typical and must be specifically confirmed in writing by eagleyard Photonics before they become applicable to any particular order or contract. In accordance with the eagleyard Photonics policy of continuous improvement specifications may change without notice.

