

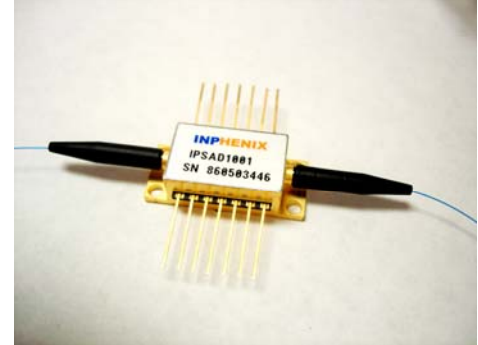
# INPHENIX

## Semiconductor Optical Amplifier Device (In-Line Type)

### IPSAD1305 (1300nm)

#### Features

- Wide Optical Bandwidth
- High Gain
- Low Gain Ripple
- Low Noise Figure
- MQW or Bulk Structure



#### Applications

- In-Line Amplifier
- Loss Compensation
- 

#### Device Specifications

Parameter	Symbol	Specifications			Unit
		Min.	Typ.	Max.	
Drive Current	$I_F$	-	700	-	mA
Operating Wavelength	$\lambda_o$	1260	1300	1340	nm
3dB Optical Bandwidth	$\Delta\lambda_{3dB}$	55	60	-	nm
Small Signal Gain at @ - 25dBm Signal	$G_{max}$	28	30	-	dB
Gain Ripple with Respect to $\lambda$	$\Delta G$		0.5	1	dB
Saturation Output Power	$P_{sat}$	13	15	-	dBm
Noise Figure	NF			7	dB
Polarization Dependent Gain	PDG	-	15	-	dB

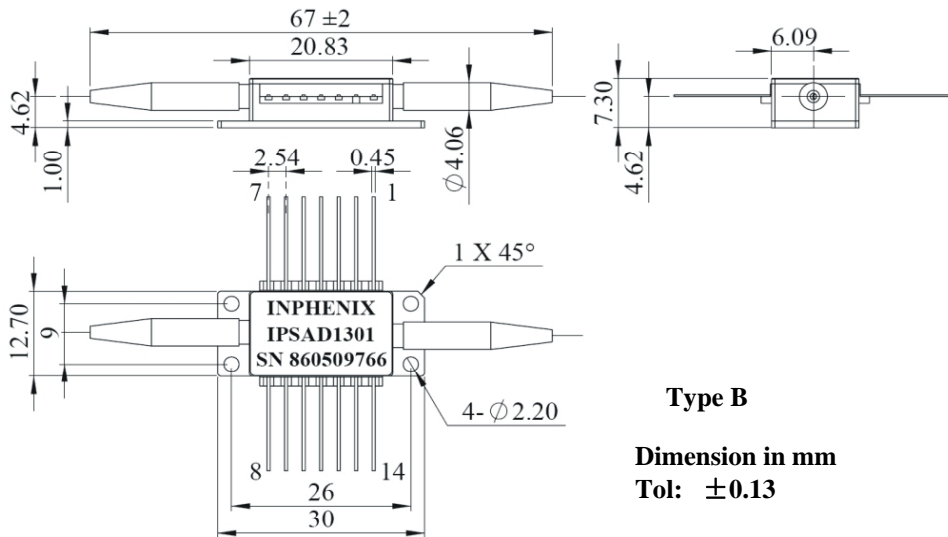
# INPHENIX

## Absolute Maximum Ratings

Parameter	Min.	Max.	Unit
Operating Temperature	- 20	70	°C
Storage Temperature	- 40	85	°C
SOA Forward Current	-	1000	mA
SOA Reverse Voltage	-	2.5	V
TEC Drive Current	-	1.5	A
TEC Drive Voltage	-	3.6	V
Thermistor Resistance	10k $\Omega$ @ 25°C		
SOA Chip Temperature Setting	25°C		
Fiber Type	SMF/PMF/MMF ClearCurve Fiber		
Fiber Jacket	250 $\mu$ m tight buffer with/without 900 $\mu$ m loose tube, or 900 $\mu$ m tight buffer		
Package	14-pin Butterfly Type B or C		

# INPHENIX

## Package Dimensions

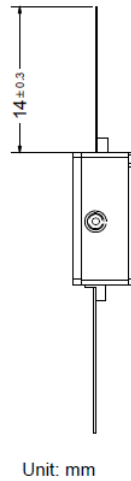
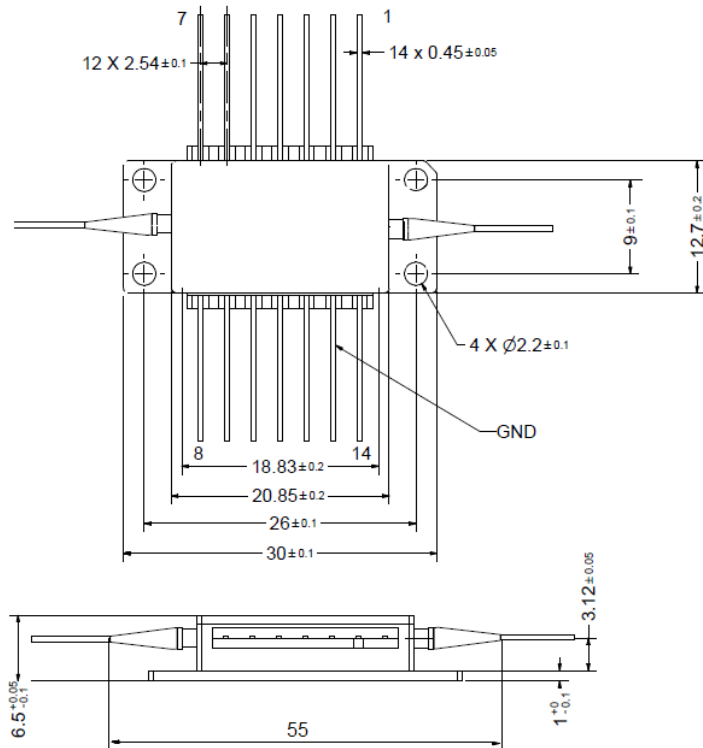


## Pin Definition

Pin	14-pin Butterfly
1	TEC(+)
2	NC
3	Thermistor *
4	Thermistor *
5	NC
6	NC
7	NC
8	NC
9	NC
10	SOA(+)
11	SOA(-)
12	NC
13	Case
14	TEC(-)

Option: Pin 2 & Pin 5 for thermistor

# INPHENIX



## Type C

Dimension in mm  
Tol: ±0.13

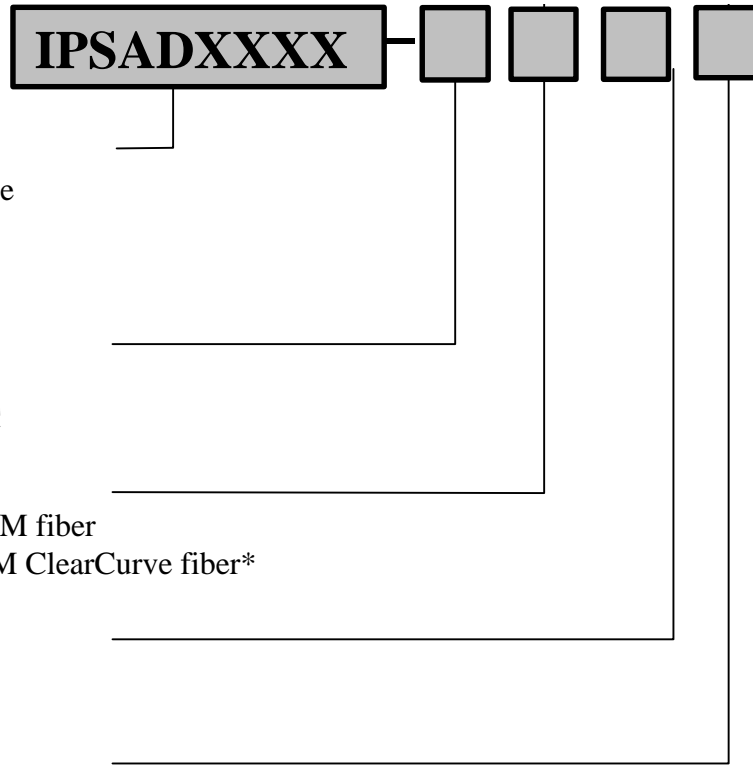
## Pin Definition

Pin	14-pin Butterfly
1	TEC(+)
2	NC
3	Thermistor *
4	Thermistor *
5	NC
6	NC
7	NC
8	NC
9	NC
10	SOA(+)
11	SOA(-)
12	NC
13	Case
14	TEC(-)

Option: Pin 2 & Pin 5 for thermistor

# INPHENIX

## Part Numbering System



**Model:**

IPSADXXXX: SOA Device

**Package:**

5: 14-pin Butterfly, Type B

6: 14-pin Butterfly, Type C

**Fiber Type:**

1: SM fiber

3: MM fiber

2: PM fiber

8: SM ClearCurve fiber\*

**Jacket Type:**

1: 900 $\mu$ m

2: 250 $\mu$ m

**Connector Type:**

0: No Connectors

3: FC/APC

4: FC/UPC

7: SC/APC

8: SC/UPC

**Example:** IPSAD1301-5110: 1310nm SOA in 14-pin Butterfly Package with 900 $\mu$ m SM Fiber with no Connectors.

\* SM ClearCurve fiber is not available on IPSAD0801, IPSAD0901 and IPSAD0902 products.

**Corporate Office**

250 North Mines Rd  
Livermore, CA 94551  
Tel: 925.606.8809  
Fax: 925.606.8810  
[www.inphenix.com](http://www.inphenix.com)  
[sales@inphenix.com](mailto:sales@inphenix.com)