

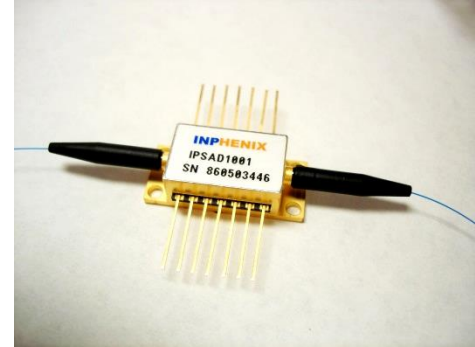
INPHENIX

Semiconductor Optical Amplifier Device (Booster Type)

IPSAD1515 (1550nm)

Features

- Wide Optical Bandwidth expanded for L band
- High Output Power
- Low Polarization Sensitivity
- MQW or Bulk Structure



Applications

- Booster Amplifier
- LiDAR, Telecom and Datacom
- Loss Compensation

Device Specifications

Parameter	Symbol	Specifications			Unit
		Min.	Typ.	Max.	
Drive Current	I_F	-	1000	-	mA
Operating Wavelength	λ_o	1530	1550	1570	nm
3dB Optical Bandwidth	$\Delta\lambda_{3dB}$	-	40	-	nm
Small Signal Gain at @ - 25dBm Signal	G_{max}	-	20	-	dB
Gain Ripple with Respect to λ	ΔG	-	-	-	dB
Saturation Output Power	P_{sat}	-	20	-	dBm
Noise Figure	NF	-	8	-	dB
Polarization Dependent Gain	PDG	-	10	-	dB

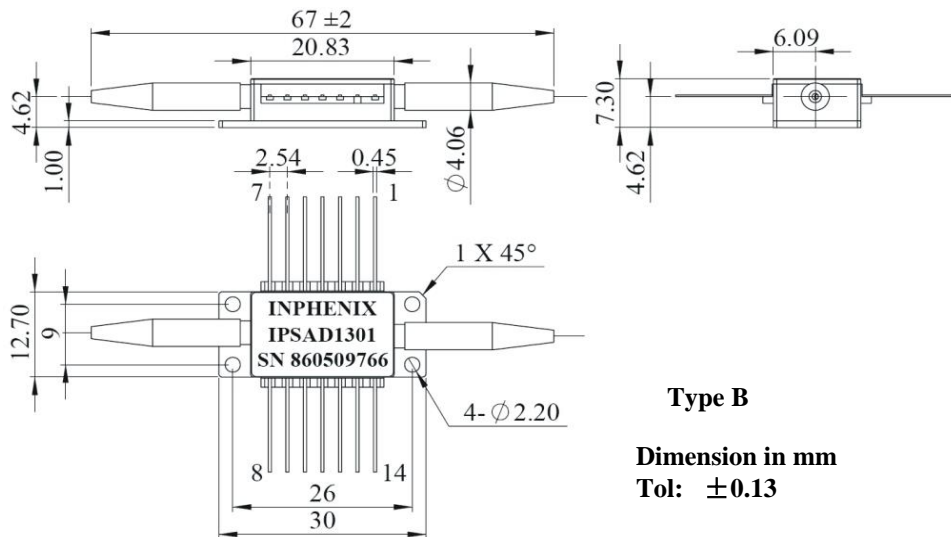


Absolute Maximum Ratings

Parameter	Min.	Max.	Unit
Operating Temperature	- 20	70	°C
Storage Temperature	- 40	85	°C
SOA Forward Current	-	1000	mA
SOA Reverse Voltage	-	2.5	V
TEC Drive Current	-	1.5	A
TEC Drive Voltage	-	3.6	V
Thermistor Resistance	10kΩ @ 25°C		
SOA Chip Temperature Setting	25°C		
Fiber Type	SMF/PMF/MMF ClearCurve Fiber		
Fiber Jacket	250μm tight buffer with/without 900μm loose tube, or 900μm tight buffer		
Package	14-pin Butterfly Type B or C		

INPHENIX

Package Dimensions



Type B

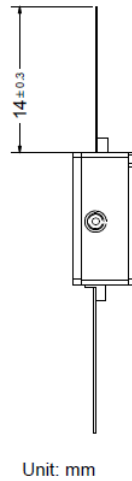
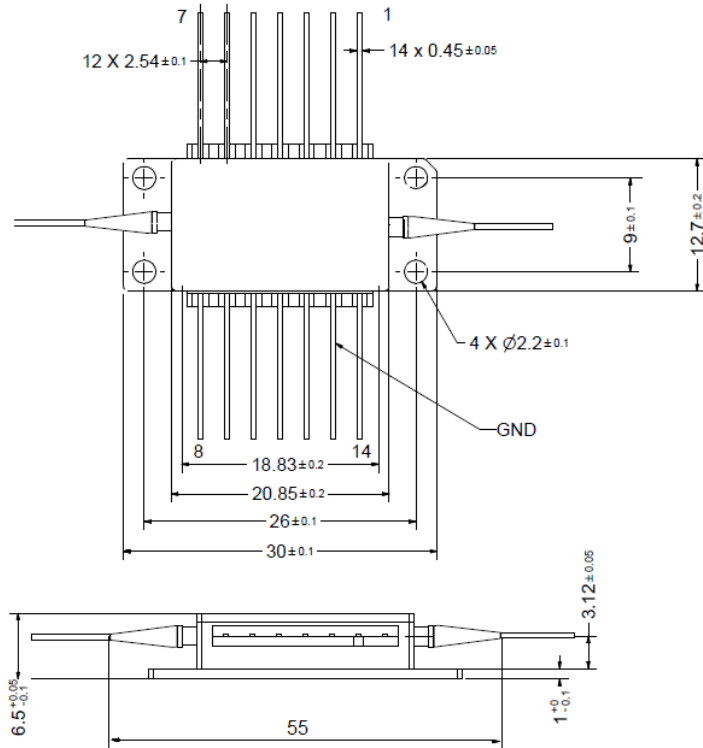
Dimension in mm

Tol: ± 0.13

Pin Definition

Pin	14-pin Butterfly
1	TEC(+)
2	NC
3	Thermistor *
4	Thermistor *
5	NC
6	NC
7	NC
8	NC
9	NC
10	SOA(+)
11	SOA(-)
12	NC
13	Case
14	TEC(-)

Option: Pin 2 & Pin 5 for thermistor



Unit: mm

Type C

Dimension in mm
Tol: ±0.13

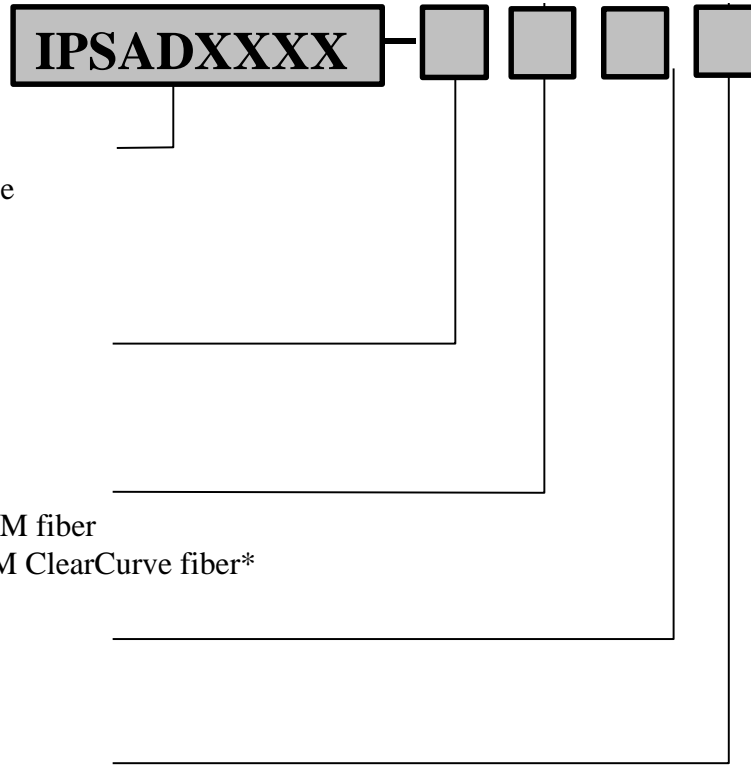
Pin Definition

Pin	14-pin Butterfly
1	TEC(+)
2	NC
3	Thermistor *
4	Thermistor *
5	NC
6	NC
7	NC
8	NC
9	NC
10	SOA(+)
11	SOA(-)
12	NC
13	Case
14	TEC(-)

Option: Pin 2 & Pin 5 for thermistor

INPHENIX

Part Numbering System



Model:
IPSADXXXX: SOA Device

Package:
5: 14-pin Butterfly, Type B
6: 14-pin Butterfly, Type C

Fiber Type:
1: SM fiber
2: PM fiber
3: MM fiber
8: SM ClearCurve fiber*

Jacket Type:
1: 900µm
2: 250µm

Connector Type:
0: No Connectors
3: FC/APC
4: FC/UPC
7: SC/APC
8: SC/UPC

Example: IPSAD1301-5110: 1310nm SOA in 14-pin Butterfly Package with 900µm SM Fiber with no Connectors.

* SM ClearCurve fiber is not available on IPSAD0801, IPSAD0901 and IPSAD0902 products.

Corporate Office
250 North Mines Rd
Livermore, CA 94551
Tel: 925.606.8809
Fax: 925.606.8810
www.inphenix.com
sales@inphenix.com

All information contained herein is believed to be accurate and is subject to change without notification. No responsibility is assumed. Please contact InPhenix for more information. InPhenix and the InPhenix logo are trademarks of InPhenix Inc. All rights are reserved.