



Tunable MidIR DFB Lasers – 3270 nm Specifications

Model Number: NL3270-T66

Serial Number: 20213

Package Type: TO 66 – Hermetically sealed with a 7° tilted window, AR coated

Lens: No Lens

Operating Parameters

PARAMETER	UNITS	MIN.	MAX.
Storage Temperature	°C	-40	50
Case Operating Temperature	°C	-20	50
TEC Current	A		1.6
Laser Diode Forward Current	mA		200
Laser Diode Reverse Voltage	V		2

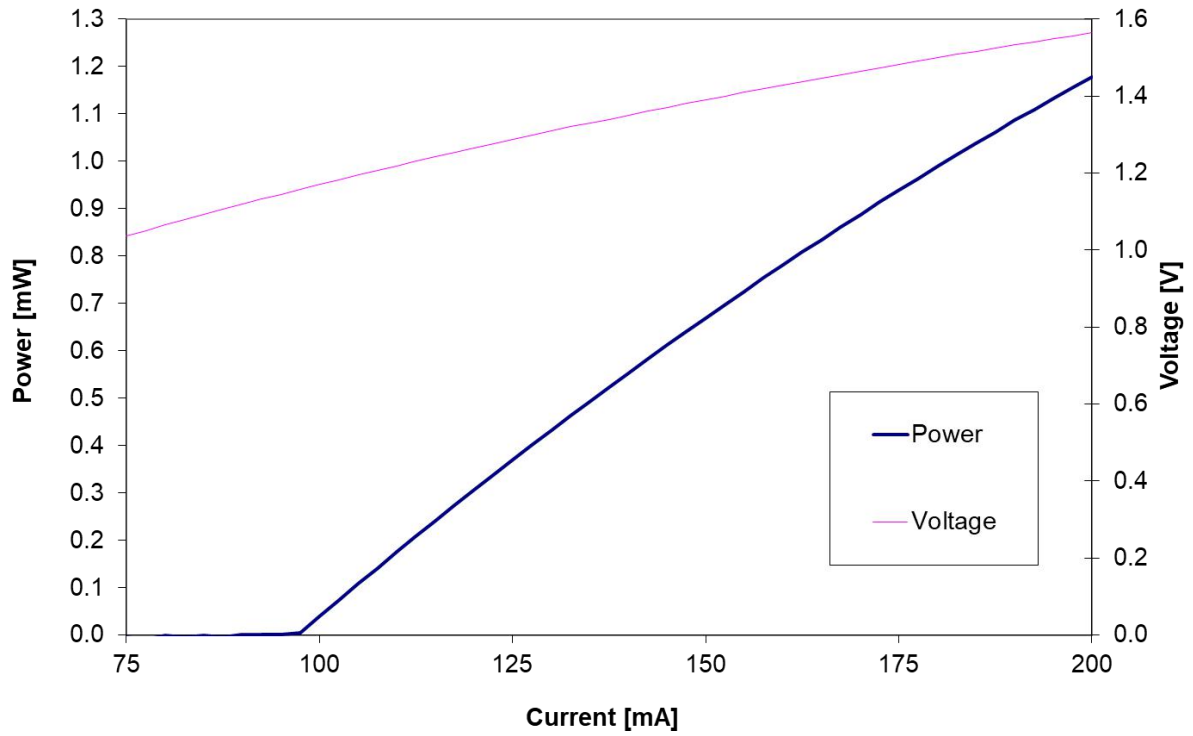
Laser Characteristics

PARAMETER	CONDITION	UNITS	VALUE
Threshold Current	10 °C	mA	97
Operating wavelength	181 mA & 10 °C	nm	3270.41
Operating Power	181 mA & 10 °C	mW	1.0
Forward Voltage	181 mA & 10 °C	V	1.50
Maximum Power	200 mA & 10 °C	mW	1.2
Thermistor Resistance	25 °C	kΩ	10 ± 0.1
Thermistor B constant	25 °C		3890
Temperature Tuning		nm/°C	0.26
Drive Current Tuning	near 3270 nm	nm/mA	0.024
Side mode suppression ratio (SMSR)		dB	> 30

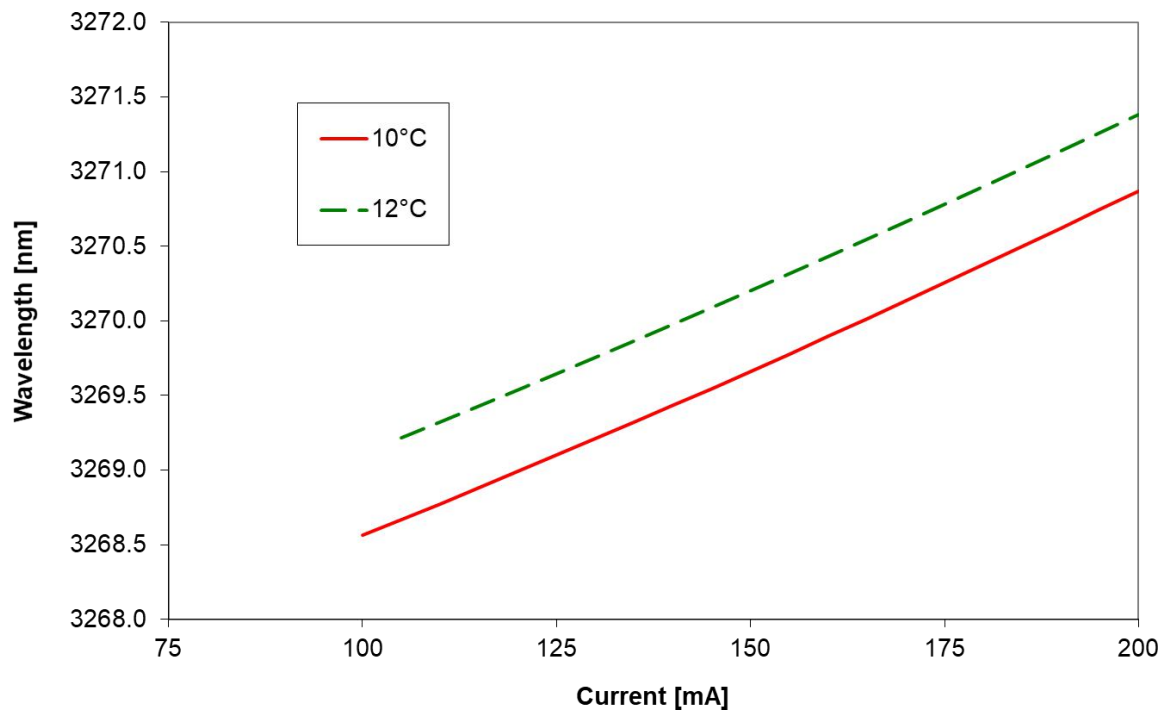
Caution: Electrostatic surge could cause permanent damage to the laser diodes. Always set the output level of the power supply to zero before connecting or disconnecting a laser diode.

Caution: During operation, this device emits invisible laser radiation. Avoid direct exposure to the beam.

Optical Power & Forward Voltage vs Drive Current at 10°C

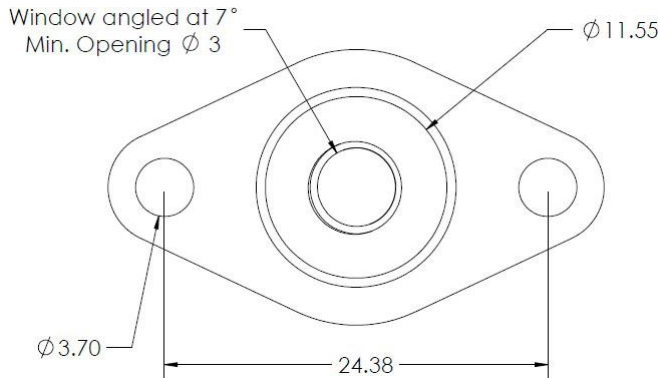


Peak Wavelength vs Drive Current

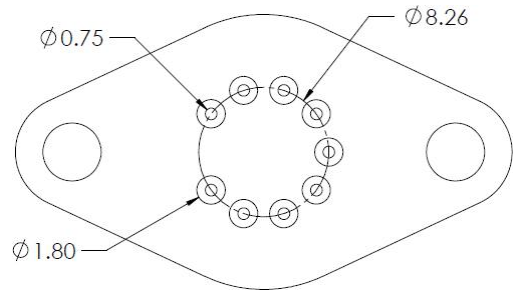


TO66 Package Outline Diagrams

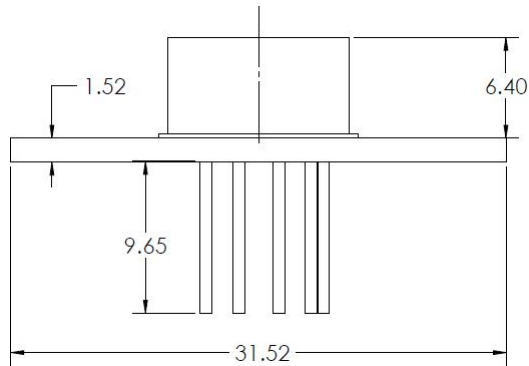
Top View



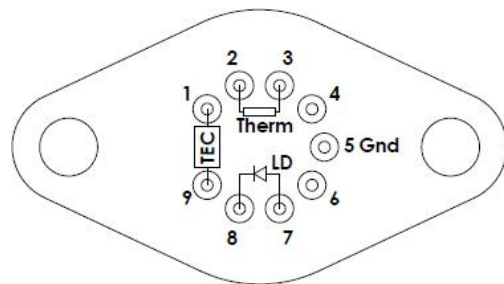
Bottom View



Front View



Schematic Diagram (Bottom View)



TO-66 Header

All dimensions in mm

Pin Number	Description
1	TEC (+)
2	Thermistor
3	Thermistor
4	Not Used
5	Ground
6	Not Used
7	LD Anode (+)
8	LD Cathode (-)
9	TEC (-)